

## Microvalvole a comando meccanico Mechanically operated Microvalves

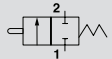
### Dati Tecnici

Forza d'azionamento (a 6 Bar): 8 N  
Peso: 0,024 Kg

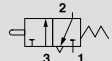
### Technical data

Thrust force (6 Bar): 8 N  
Weight: 0,024 Kg

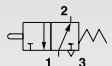
### Codici di ordinazione Order codes



CODE	REF.
1000412001	MV M5 15 2 PU ML NC P
1000492001	MV AU4 15 2 PU ML NC P

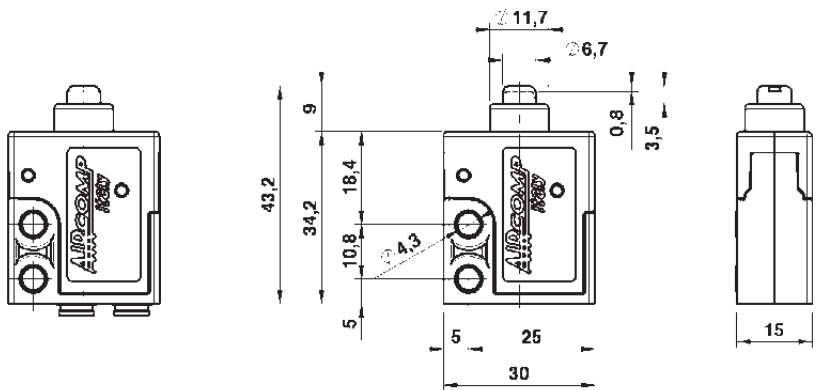
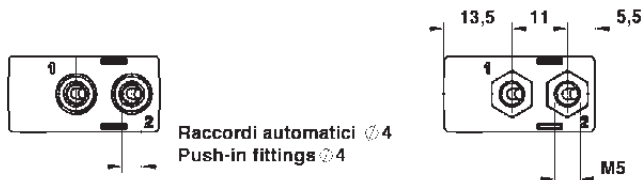


1000413001	MV M5 15 3 PU ML NC P
1000493001	MV AU4 15 3 PU ML NC P



1000413002	MV M5 15 3 PU ML NO P
1000493002	MV AU4 15 3 PU ML NO P

Microvalvole 2/2 - 3/2 a puntale  
2/2 - 3/2 Pushrod Microvalves



AU4 VERSION

M5 VERSION