

## Microvalvole a comando meccanico Mechanically operated Microvalves

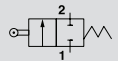
### Dati Tecnici

Forza d'azionamento (a 6 Bar): 6 N  
Peso: 0,027 Kg

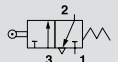
### Technical data

Thrust force (6 Bar): 6 N  
Weight: 0,027 Kg

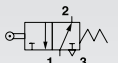
### Codici di ordinazione Order codes



CODE	REF.
1000412002	MV M5 15 2 RL ML NC P
1000492002	MV AU4 15 2 RL ML NC P

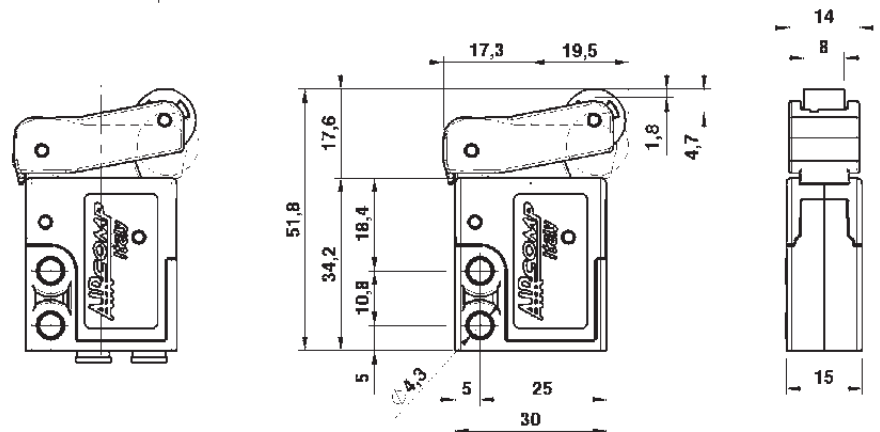
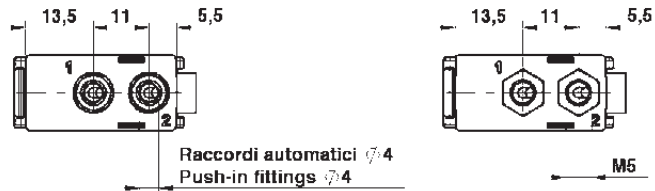


1000413003	MV M5 15 3 RL ML NC P
1000493003	MV AU4 15 3 RL ML NC P



1000413004	MV M5 15 3 RL ML NO P
1000493004	MV AU4 15 3 RL ML NO P

Microvalvole 2/2 - 3/2 a leva rullo  
2/2 - 3/2 Roller lever Microvalves



AU4 VERSION

M5 VERSION