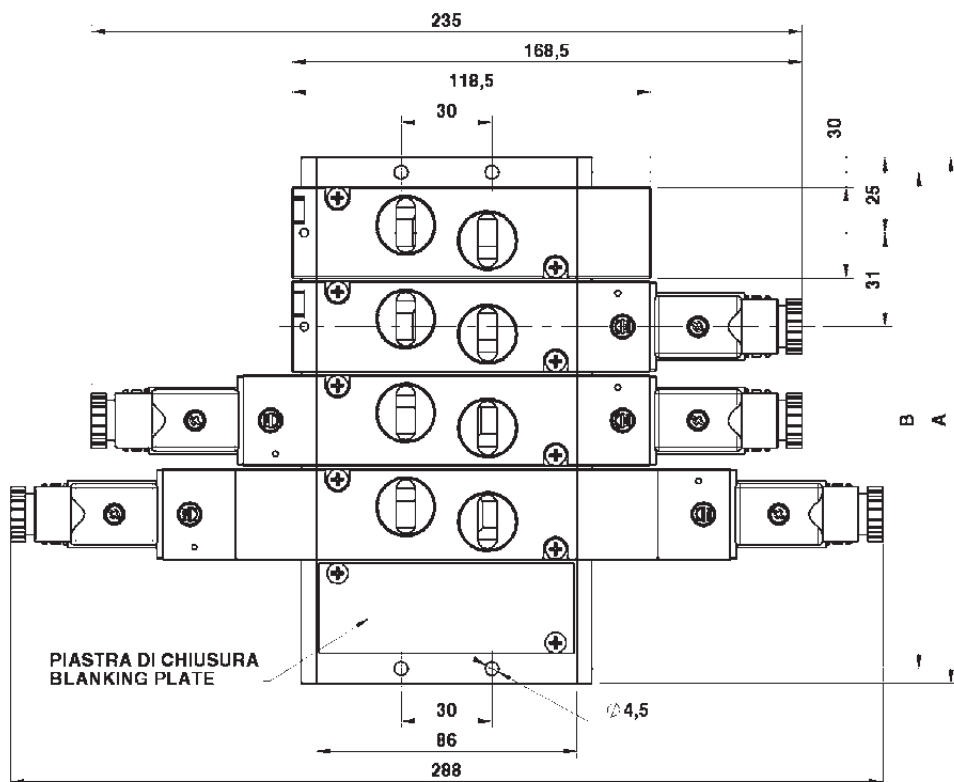
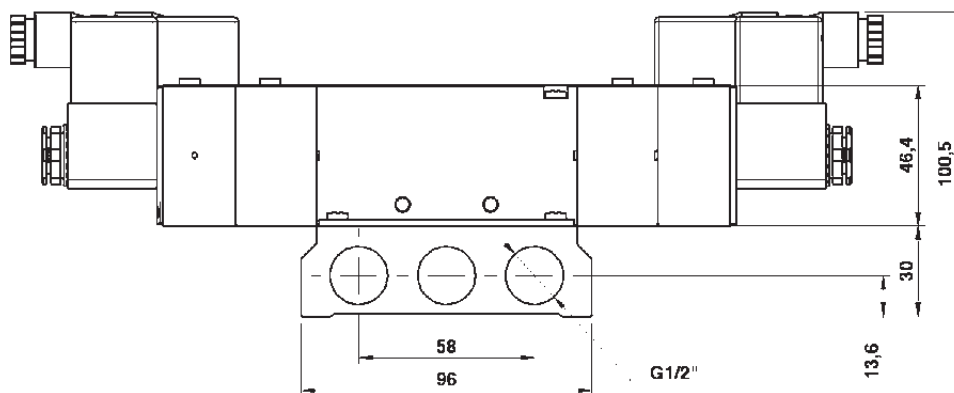


# Line

# 130 1/2"

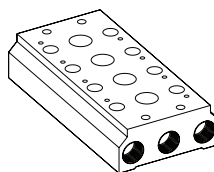
## Sottobase per valvole 1/2" 1/2" Valves manifold



### Dimensioni Dimensions

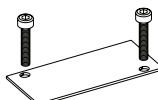
N° of stations	A	B
2	81	71
3	112	102
4	143	133
5	174	164
6	205	195
7	236	226
8	267	257
9	298	288
10	329	319

### Sottobase Manifold



CODICE-CODE	REF.	LINE
1345A00002	STB 30 2 POS BSP	130 1/2"
1345A00003	STB 30 3 POS BSP	130 1/2"
1345A00004	STB 30 4 POS BSP	130 1/2"
1345A00005	STB 30 5 POS BSP	130 1/2"
1345A00006	STB 30 6 POS BSP	130 1/2"
1345A00007	STB 30 7 POS BSP	130 1/2"
1345A00008	STB 30 8 POS BSP	130 1/2"
1345A00009	STB 30 9 POS BSP	130 1/2"
1345A00010	STB 30 10 POS BSP	130 1/2"

### Kit piastra di chiusura Blanking plate kit



CODICE-CODE	REF.	LINE
1345A00013	KIT PIASTRA DI CHIUSURA BLANKING PLATE	130 1/2"