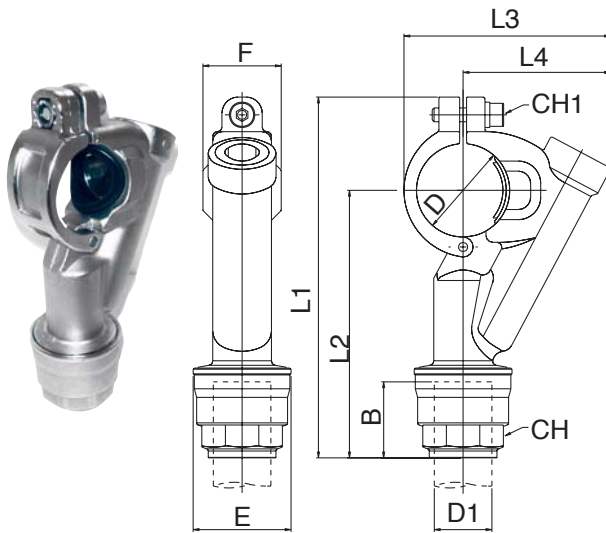


90240

FLANGIA PER CALATA - SADDLE CLAMP CONNECTOR



| D | D1 | B | E | F | L1 | L2 | L3 | L4 | CH | CH1 | Conf. Pack. |
|----|----|------|------|------|-------|-------|-------|----|----|-----|-------------|
| 32 | 20 | 31.5 | 34.5 | 34 | 136.5 | 100.5 | 78 | 57 | 30 | 5 | 6 |
| 32 | 25 | 38.5 | 42.5 | 34 | 144.5 | 108.5 | 78 | 57 | 35 | 5 | 6 |
| 40 | 20 | 31.5 | 34.5 | 34 | 148.5 | 108 | 89.5 | 64 | 30 | 5 | 4 |
| 40 | 25 | 38.5 | 42.5 | 34 | 156.5 | 116 | 89.5 | 64 | 35 | 5 | 4 |
| 50 | 20 | 31.5 | 34.5 | 42.5 | 167.5 | 118.5 | 105.5 | 74 | 30 | 6 | 2 |
| 50 | 25 | 38.5 | 42.5 | 42.5 | 175.5 | 126.5 | 105.5 | 74 | 35 | 6 | 1 |
| 63 | 20 | 31.5 | 34.5 | 42.5 | 185 | 130 | 119 | 81 | 30 | 6 | 1 |
| 63 | 25 | 38.5 | 42.5 | 42.5 | 193 | 138 | 119 | 81 | 35 | 6 | 1 |

