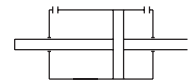
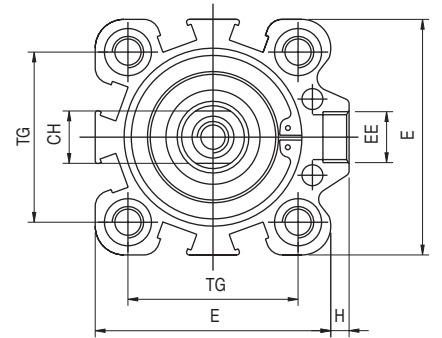
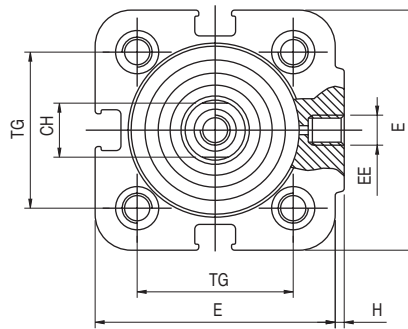
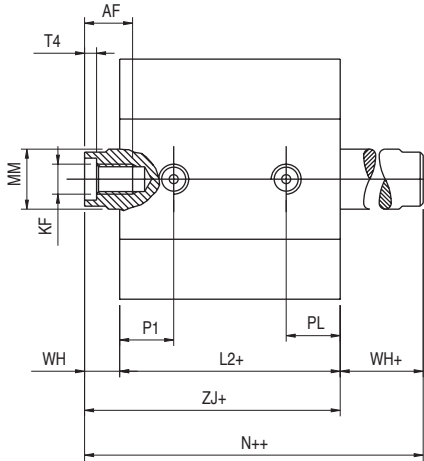


D12-16-20-25



D32-40-50-63-80-100



+= aggiungere la corsa += add stroke
 += aggiungere 2 volte la corsa += double stroke dimension and add it
 * = per corsa corta filetto passante * = Through threads only on small strokes

BJ

DOPPIO EFFETTO STELO PASSANTE MAGNETICO - DOUBLE ACTING MAGNETIC WITH DOUBLE ROD END

Ø mm.	AF	RT	BG*	D2Ø	E	EE	FBØ	H	KF	CH	L2	L3	MMØ	P1	PL	T4	TG	N++	WH/WH+	ZJ+
12	6	M4	12.5	5.5	29	M5	3.3	1	M3	5	28	3.5	6	7.5	7.5	1.5	18	40	6	34
16	8	M4	14.5	5.5	29	M5	3.3	1	M4	7	30.5	3.5	8	8.5	8.5	2	18	42.5	6	36.5
20	8	M5	16.5	7.2	36	M5	4.2	1.5	M5	9	31.5	4.5	10	9	9	2	22	43.5	6	37.5
25	8	M5	16.5	7.2	40	M5	4.2	1.5	M5	9	31.5	4.5	10	9	9	2	26	43.5	6	37.5
32	10	M6	21.7	8.5	45	G1/8	5	3.5	M6	10	32	5.7	12	10	10	2.8	32.5	46	7	39
40	10	M6	21.7	8.5	52	G1/8	5	5	M6	10	38.5	5.7	12	11	11	2.8	38	53	7.2	45.7
50	12	M8	22.8	10	63.5	G1/8	6.8	7	M8	13	39	6.8	16	11	11	3.5	46.5	56	8.5	47.5
63	12	M8	22.8	10	77	G1/8	6.8	7	M8	13	46	6.8	16	11.5	11.5	3.5	56.5	62	8	54
80	16	M10	25	13	92	G1/8	8.5	10	M10	17	54	9	20	14	14	4.5	72	76	11	65
100	20	M10	25	13	113	G1/4	8.5	13	M12	22	65	9	25	17.5	17.5	6	89	89	12	77