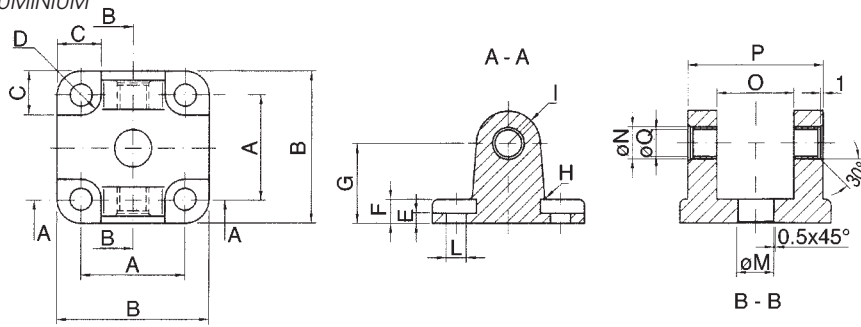


MATERIALE: ALLUMINIO  
MATERIAL: ALUMINIUM



**QCF**

**CERNIERA FEMMINA CON BOCCOLE AUTOLUBRIFICANTI - FEMALE HINGE SELF-LUBRICATING**

Ø mm.	A	B	C	D	E	F	G	H	I	L	M	N	O	P	Q
<b>32</b>	32	48	13.5	5.5	5.5	9	22	2.5	10	6.6	14	12	26	45	10
<b>40</b>	42	58	13.5	5.5	5.5	9	25	2.5	12.5	6.6	14	14	28	52	12
<b>50</b>	50	66	15.5	7.5	6.5	11	27	2.5	12.5	9	18	14	32	60	12
<b>63</b>	62	83	18	7.5	6.5	11	32	4	15	11	18	18	40	70	16
<b>80</b>	82	102	19	9	10	13	36	4	15	11	23	18	50	90	16
<b>100</b>	103	123	19	9	10	15	41	4	20	11	28	23	60	110	20