

T500

Piastrina di Collegamento | Connection Plate



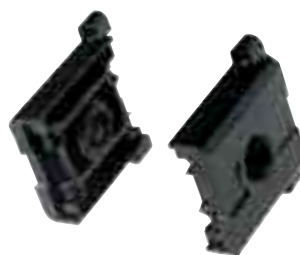
MINI

Codice / Code

T500000000000	FRL 0
T500100000000	FRL 1
T500200000000	FRL 2
T500300000000	FRL 3

T505

Gruppo Terminali | Ends Unit



Codice / Code

T505102000000	FRL 1 1/8
T505103000000	FRL 1 1/4
T505104000000	FRL 1 3/8
T505203000000	FRL 2 1/4
T505204000000	FRL 2 3/8
T505205000000	FRL 2 1/2
T505305000000	FRL 3 1/2
T505307000000	FRL 3 3/4
T505309000000	FRL 3 1"

T510

Gruppo di Collegamento | Connection Unit



Codice / Code

T510102000000	FRL 1 1/8
T510103000000	FRL 1 1/4
T510104000000	FRL 1 3/8
T510203000000	FRL 2 1/4
T510204000000	FRL 2 3/8
T510205000000	FRL 2 1/2
T510305000000	FRL 3 1/2
T510307000000	FRL 3 3/4
T510309000000	FRL 3 1"

T540

Gruppo Portafiltro | Filter Ring Device



MINI

Codice / Code

T540000100000	FRL 0 5 µm
T540000200000	FRL 0 20 µm
T540000300000	FRL 0 50 µm
T540100100000	FRL 1 5 µm
T540100200000	FRL 1 20 µm
T540100300000	FRL 1 50 µm
T540200100000	FRL 2 5 µm
T540200200000	FRL 2 20 µm
T540200300000	FRL 2 50 µm
T540300100000	FRL 3 5 µm
T540300200000	FRL 3 20 µm
T540300300000	FRL 3 50 µm

MAN01

Manometro | Manometer



Codice / Code

MAN0102040000	Ø40 0-12 bar R1/8
---------------	-------------------

REG09

Gruppo Membrana | Membrane Unit



Codice / Code

REG09001700SC	FRL 0
REG09101700SC	FRL 1
REG09201700SC	FRL 2
REG09301700SC	FRL 3

REG06

Molla di Registro | Register Spring



Codice / Code

REG06005401SC	FRL 0 0-2 BAR
REG06005402SC	FRL 0 0-4 BAR
REG06005403SC	FRL 0 0-8 BAR
REG06005404SC	FRL 0 0-12 BAR
REG06105401SC	FRL 1 0-2 BAR
REG06105402SC	FRL 1 0-4 BAR
REG06105403SC	FRL 1 0-8 BAR
REG06105404SC	FRL 1 0-12 BAR
REG06205401SC	FRL 2 0-2 BAR
REG06205402SC	FRL 2 0-4 BAR
REG06205403SC	FRL 2 0-8 BAR
REG06205404SC	FRL 2 0-12 BAR
REG06305401SC	FRL 3 0-2 BAR
REG06305402SC	FRL 3 0-4 BAR
REG06305403SC	FRL 3 0-8 BAR
REG06305404SC	FRL 3 0-12 BAR

T550

Gruppo Venturi | Venturi Unit



Codice / Code	
T550000000000	FRL 0
T550100000000	FRL 1
T550200000000	FRL 2
T550300000000	FRL 3

T560

Gruppo Dosatore Olio | Oil Feeding Device



Codice / Code	
T560100000000	FRL 0
T560100000000	FRL 1
T560100000000	FRL 2
T560100000000	FRL 3

T570

Gruppo di Regolazione | Regulating Device



Codice / Code	
T570000010000	FRL 0 0-2 BAR
T570000020000	FRL 0 0-4 BAR
T570000030000	FRL 0 0-8 BAR
T570000040000	FRL 0 0-12 BAR
T570100010000	FRL 1 0-2 BAR
T570100020000	FRL 1 0-4 BAR
T570100030000	FRL 1 0-8 BAR
T570100040000	FRL 1 0-12 BAR
T570200010000	FRL 2 0-2 BAR
T570200020000	FRL 2 0-4 BAR
T570200030000	FRL 2 0-8 BAR
T570200040000	FRL 2 0-12 BAR
T570300010000	FRL 3 0-2 BAR
T570300020000	FRL 3 0-4 BAR
T570300030000	FRL 3 0-8 BAR
T570300040000	FRL 3 0-12 BAR

T580

*Gruppo Tappo Regolatore
Regulating Plug Unit*



Codice / Code	
T580000000000	FRL 0
T580100000000	FRL 1
T580200000000	FRL 2
T580300000000	FRL 3

T590

*Gruppo Otturatore + Filtro
Shutter + Filter Unit*



Codice / Code	
T590000100000	FRL 0 5 µm
T590000200000	FRL 0 20 µm
T590000300000	FRL 0 50 µm
T590100100000	FRL 1 5 µm
T590100200000	FRL 1 20 µm
T590100300000	FRL 1 50 µm
T590200100000	FRL 2 5 µm
T590200200000	FRL 2 20 µm
T590200300000	FRL 2 50 µm
T590300100000	FRL 3 5 µm
T590300200000	FRL 3 20 µm
T590300300000	FRL 3 50 µm

FIL04

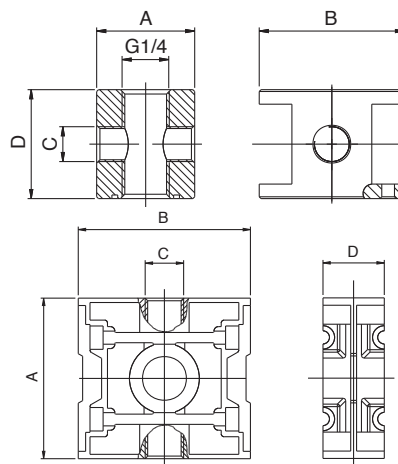
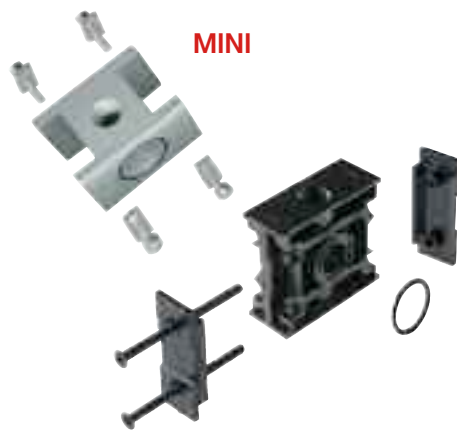
Filtro Sinterizzato | Sintered Filter



Codice / Code	
FIL04003805SC	FRL 0 5 µm
FIL04003820SC	FRL 0 20 µm
FIL04003850SC	FRL 0 50 µm
FIL04101005SC	FRL 1 5 µm
FIL04101020SC	FRL 1 20 µm
FIL04101050SC	FRL 1 50 µm
FIL04201005SC	FRL 2 5 µm
FIL04201020SC	FRL 2 20 µm
FIL04201050SC	FRL 2 50 µm
FIL04301005SC	FRL 3 5 µm
FIL04301020SC	FRL 3 20 µm
FIL04301050SC	FRL 3 50 µm

DIS00

Distributore d' Aria | Air Distributor



Codice / Code	A	B	C	D
DIS00001100NE	FRL 0 27	40	1/8	30
DIS00108000NE	FRL 1 42	45	1/4	24
DIS00208000NE	FRL 2 55	59	1/4	24
DIS00308000NE	FRL 3 65	70	3/8	32

T520
Gruppo Tazza Filtro | Bowl for Filter Unit
MINI


Codice / Code

T52000001000 FRL 0

T520100001000 FRL 1

T520200001000 FRL 2

T520300001000 FRL 3

T525
*Gruppo Tazza Scarico Condensa Automatico
Bowl for Automatic Condensed Exhaust*


Codice / Code

T525200002000 FRL 2

T525300002000 FRL 3

T530
Gruppo Tazza Lubrificatore | Bowl for Lubricator Unit
MINI


Codice / Code

T530000000100 FRL 0

T530100000100 FRL 1

T530200000100 FRL 2

T530300000100 FRL 3

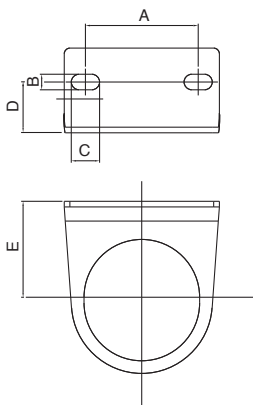
T535
*Gruppo Tazza Caricamento automatico olio
Bowl for Automatic oil loading system*


Codice / Code

T535100000200 FRL 1

T535200000200 FRL 2

T535300000200 FRL 3

REG16
Staffa di Fissaggio | Clamp Bracket


Codice / Code

	A	B	C	D	E
REG16005000NE FRL 0	21.5	5.5	12	15	31
REG16105000NE FRL 1	28	5.5	10	15	29
REG16205000NE FRL 2	40	5.5	10	18	35
REG16305000NE FRL 3	50	5.5	10	20	39

SOLO1
Solenoid | Solenoid


Codice / Code

SOL01024C1000 24V DC 3W

SOL01220A2000 220V AC 5VA