

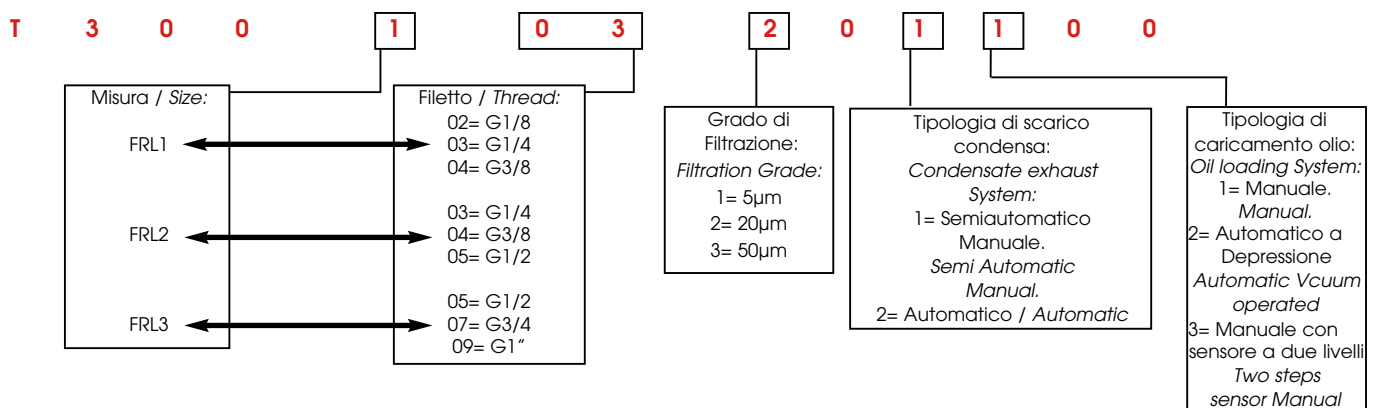


**F + L**

**CODICI DEI PRODOTTI STANDARD A MAGAZZINO**  
STANDARD PRODUCTS AVAILABLE IN STOCK

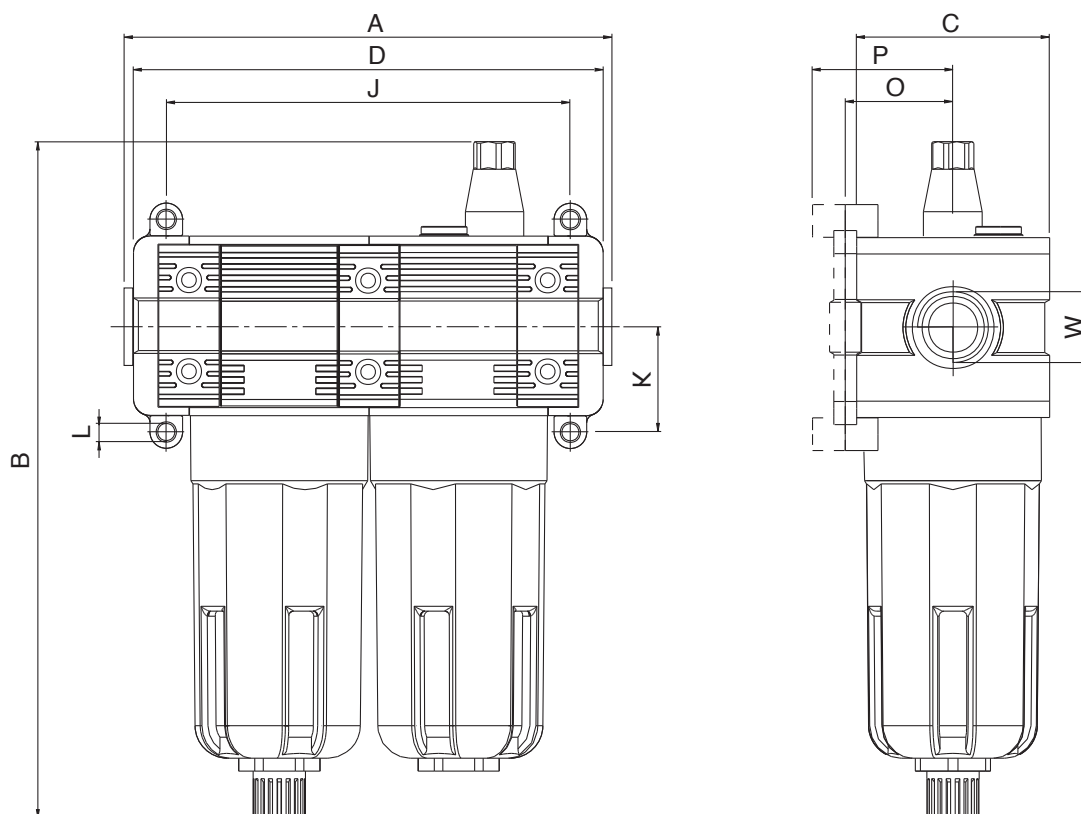
<b>CODICE CODE</b>	<b>MISURA SIZE</b>	<b>FILETTO THREAD</b>	<b>FILTRAZIONE FILTRATION</b>	<b>PORTATA FLOW RATE</b>
<b>T300103201100</b>	F+L 1	1/4	20 µm	1350 NI/min
<b>T300104201100</b>	F+L 1	3/8	20 µm	1350 NI/min
<b>T300204201100</b>	F+L 2	3/8	20 µm	3200 NI/min
<b>T300205201100</b>	F+L 2	1/2	20 µm	3200 NI/min
<b>T300307201100</b>	F+L 3	3/4	20 µm	5000 NI/min
<b>T300309201100</b>	F+L 3	1"	20 µm	5000 NI/min

**Tabella dei codici di ordinazione - Article codes to be used for ordering**



**Dati tecnici - Technical data**

	<b>FRL 1</b>	<b>FRL 2</b>	<b>FRL 3</b>
ATTACCO FILETTATO / <i>THREADED FASTENING</i>	1/8"-1/4"-3/8"	1/4" -3/8"-1/2"	1/2"-3/4"-1"
PORTATA A 6 BAR CON Δp A 1 bar <i>6 bar FLOW RATE WITH Δp AT 1 bar</i>	1350 NI/min	3200 NI/min	5000 NI/min
VITI DI FISSAGGIO / <i>WALL CLAMPING SCREWS</i>	M4X14	M5X18	M6X20
CAPACITA' TAZZA / <i>BOWL CAPACITY</i>	22 cm <sup>3</sup>	46 cm <sup>3</sup>	89.5 cm <sup>3</sup>
GRADO DI FILTRAZIONE / <i>FILTRATION GRADE</i>	5μm	20μm <b>Standard</b>	50μm
FLUIDO / <i>FLUID</i>	ARIA COMPRESSA / <i>COMPRESSED AIR</i>		
PRESSIONE MAX / <i>MAXIMUM PRESSURE</i>	15 bar		
TEMPERATURA / <i>TEMPERATURE</i>	Min -10 / Max +50°C α/to 10 bar		
SCARICO CONDENSA / <i>CONDENSATE EXHAUST</i>	MANUALE - SEMIAUTOMATICO / <i>MANUAL SEMI AUTOMATIC</i> AUTOMATICO / <i>AUTOMATIC</i>		


**Dimensioni - Dimensions**

	<b>FRL 1</b>	<b>FRL 2</b>	<b>FRL 3</b>
<b>A</b>	115	144	165
<b>B</b>	175	207.5	226.5
<b>C</b>	45	59	70
<b>D</b>	118.5	144	171 171 176
<b>W</b>	1/8" - 1/4" - 3/8"	1/4" - 3/8" - 1/2"	1/2" - 3/4" - 1"
<b>J</b>	97	124	144
<b>K</b>	26	32.5	38
<b>L</b>	Ø X M4	Ø X M5	Ø X M6
<b>O</b>	26	32	38.5
<b>P</b>	32.5	38.5	45

**T400**

**FIL + FC**

**NEW**

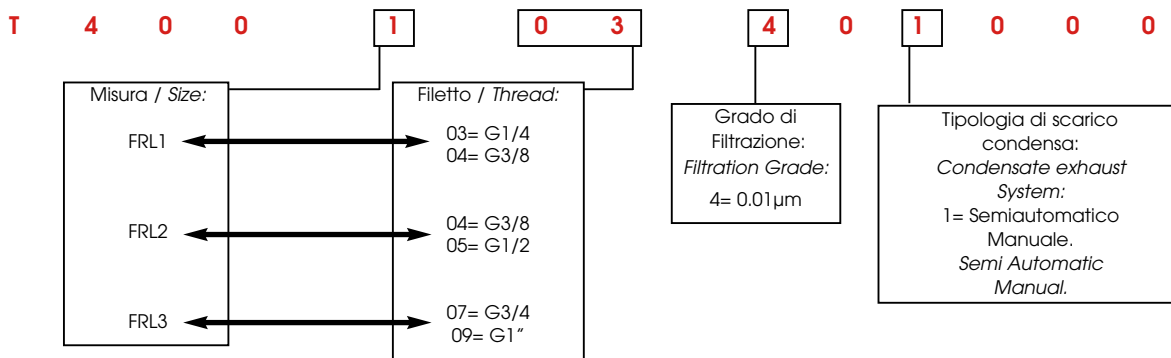


**FIL + FC**

**CODICI DEI PRODOTTI STANDARD A MAGAZZINO**  
STANDARD PRODUCTS AVAILABLE IN STOCK

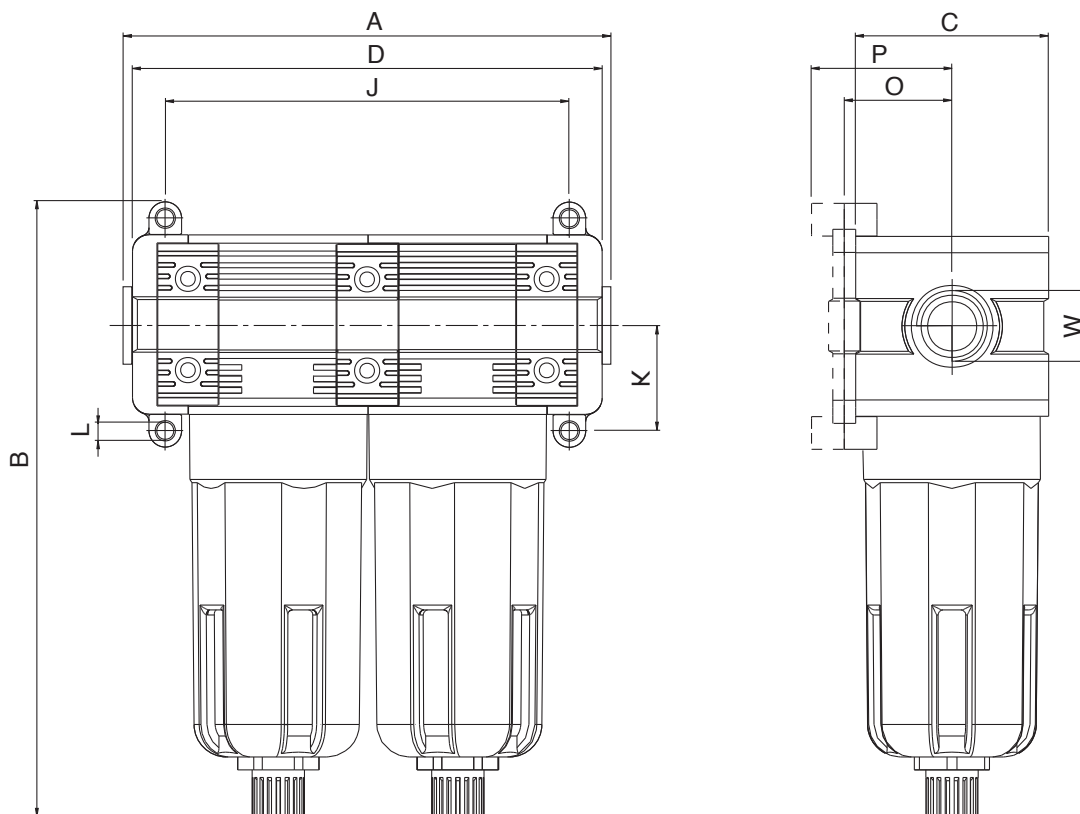
<b>CODICE CODE</b>	<b>MISURA SIZE</b>	<b>FILETTO THREAD</b>	<b>FILTRAZIONE FILTRATION</b>	<b>PORTATA FLOW RATE</b>
<b>T400103401000</b>	FIL+FC 1	1/4	5 µm + 0.01 µm	600 NI/min
<b>T400104401000</b>	FIL+FC 1	3/8	5 µm + 0.01 µm	600 NI/min
<b>T400204401000</b>	FIL+FC 2	3/8	5 µm + 0.01 µm	660 NI/min
<b>T400205401000</b>	FIL+FC 2	1/2	5 µm + 0.01 µm	660 NI/min
<b>T400307401000</b>	FIL+FC 3	3/4	5 µm + 0.01 µm	910 NI/min
<b>T400309401000</b>	FIL+FC 3	1"	5 µm + 0.01 µm	910 NI/min

**Tabella dei codici di ordinazione - Article codes to be used for ordering**



**Dati tecnici - Technical data**

	<b>FRL 1</b>	<b>FRL 2</b>	<b>FRL 3</b>
ATTACCO FILETTATO / <i>THREADED FASTENING</i>	1/4"-3/8"	3/8"-1/2"	3/4"-1"
PORTATA A 6 BAR CON $\Delta p$ A 1 bar <i>6 bar FLOW RATE WITH <math>\Delta p</math> AT 1 bar</i>	600 NI/min	660 NI/min	910 NI/min
VITI DI FISSAGGIO / <i>WALL CLAMPING SCREWS</i>	M4X14	M5X18	M6X20
CAPACITA' TAZZA / <i>BOWL CAPACITY</i>	22 cm <sup>3</sup>	46 cm <sup>3</sup>	89.5 cm <sup>3</sup>
GRADO DI FILTRAZIONE / <i>FILTRATION GRADE</i>	5 $\mu$ m + 0.01 $\mu$ m		
FLUIDO / <i>FLUID</i>	ARIA COMPRESSA / <i>COMPRESSED AIR</i>		
PRESSIONE MAX / <i>MAXIMUM PRESSURE</i>	15 bar		
TEMPERATURA / <i>TEMPERATURE</i>	Min -10 / Max +50°C a/to 10 bar		
SCARICO CONDENSA / <i>CONDENSATE EXHAUST</i>	MANUALE - SEMIAUTOMATICO / <i>MANUAL SEMI AUTOMATIC</i>		


**Dimensioni - Dimensions**

	<b>FRL 1</b>	<b>FRL 2</b>	<b>FRL 3</b>
<b>A</b>	115	144	165
<b>B</b>	146	178.5	197.5
<b>C</b>	45	59	70
<b>D</b>	118.5	144	171 171 176
<b>W</b>	1/8" - 1/4" - 3/8"	1/4" - 3/8" - 1/2"	1/2" - 3/4" - 1"
<b>J</b>	97	124	144
<b>K</b>	26	32.5	38
<b>L</b>	$\varnothing$ X M4	$\varnothing$ X M5	$\varnothing$ X M6
<b>O</b>	26	32	38.5
<b>P</b>	32.5	38.5	45

**T450**

**FR + FC**

**NEW**

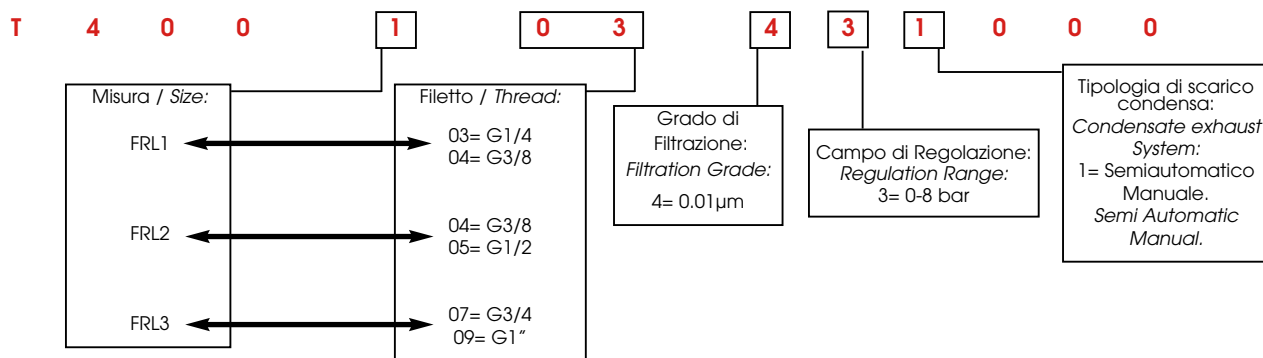


**FR + FC**

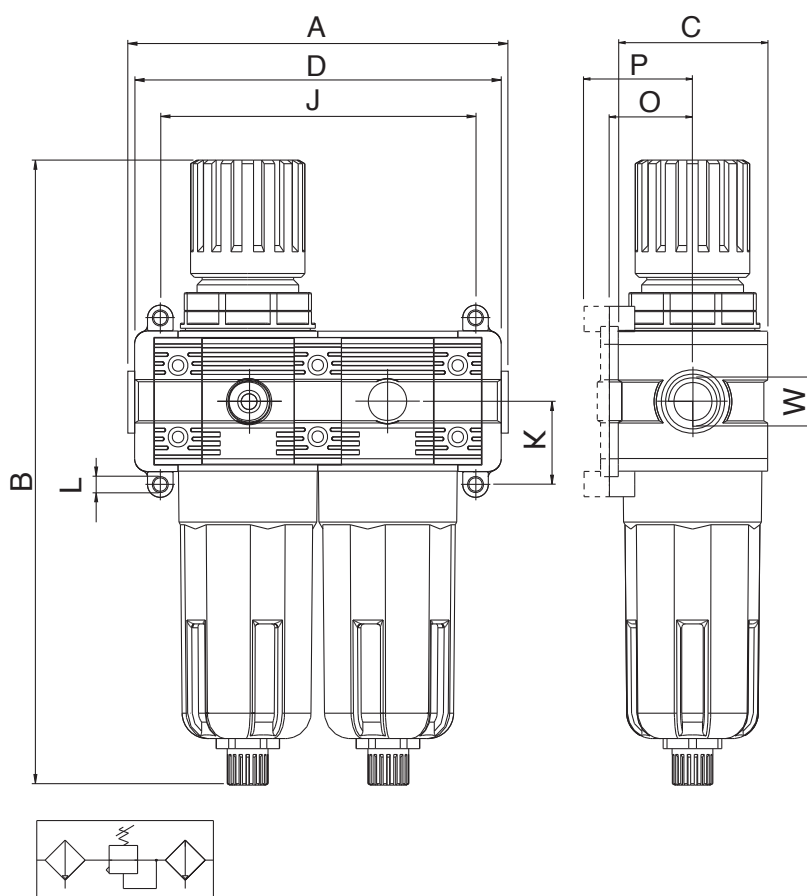
**CODICI DEI PRODOTTI STANDARD A MAGAZZINO**  
STANDARD PRODUCTS AVAILABLE IN STOCK

<b>CODICE</b> CODE	<b>MISURA</b> SIZE	<b>FILETTO</b> THREAD	<b>REGOLAZIONE</b> REGULATION	<b>FILTRAZIONE</b> FILTRATION	<b>PORTATA</b> FLOW RATE
<b>T450103401000</b>	FR+FC 1	1/4	0 - 8 bar	5 µm + 0.01 µm	600 NI/min
<b>T450104401000</b>	FR+FC 1	3/8	0 - 8 bar	5 µm + 0.01 µm	600 NI/min
<b>T450204401000</b>	FR+FC 2	3/8	0 - 8 bar	5 µm + 0.01 µm	660 NI/min
<b>T450205401000</b>	FR+FC 2	1/2	0 - 8 bar	5 µm + 0.01 µm	660 NI/min
<b>T450307401000</b>	FR+FC 3	3/4	0 - 8 bar	5 µm + 0.01 µm	910 NI/min
<b>T450309401000</b>	FR+FC 3	1"	0 - 8 bar	5 µm + 0.01 µm	910 NI/min

**Tabella dei codici di ordinazione** - Article codes to be used for ordering



Dati tecnici - Technical data	FRL 1	FRL 2	FRL 3
ATTACCO FILETTATO / THREADED FASTENING	1/4"-3/8"	3/8"-1/2"	3/4"-1"
PORTATA A 6 BAR CON $\Delta p$ A 1 bar 6 bar FLOW RATE WITH $\Delta p$ AT 1 bar	600 NI/min	660 NI/min	910 NI/min
VITI DI FISSAGGIO / WALL CLAMPING SCREWS	M4X14	M5X18	M6X20
CAPACITA' TAZZA / BOWL CAPACITY	22 cm <sup>3</sup>	46 cm <sup>3</sup>	89.5 cm <sup>3</sup>
GRADO DI FILTRAZIONE / FILTRATION GRADE		5 $\mu$ m + 0.01 $\mu$ m	
CAMPO DI REGOLAZIONE / REGULATION RANGE		0-8 bar	
FLUIDO / FLUID		ARIA COMPRESSA / COMPRESSED AIR	
PRESSIONE MAX / MAXIMUM PRESSURE		15 bar	
TEMPERATURA / TEMPERATURE		Min -10 / Max +50°C a/to 10 bar	
SCARICO CONDENSA / CONDENSATE EXHAUST		MANUALE - SEMIAUTOMATICO / MANUAL SEMI AUTOMATIC	



Dimensioni - Dimensions	FRL 1	FRL 2	FRL 3
<b>A</b>	115	144	165
<b>B</b>	146	178.5	197.5
<b>C</b>	45	59	70
<b>D</b>	118.5	144	171 171 176
<b>W</b>	1/8" - 1/4" - 3/8"	1/4" - 3/8" - 1/2"	1/2" - 3/4" - 1"
<b>J</b>	97	124	144
<b>K</b>	26	32.5	38
<b>L</b>	Ø X M4	Ø X M5	Ø X M6
<b>O</b>	26	32	38.5
<b>P</b>	32.5	38.5	45