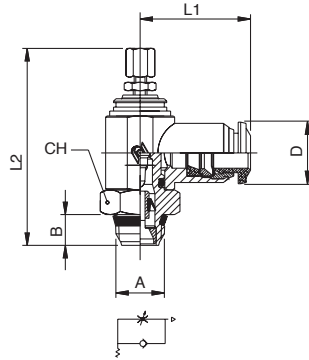


50905

REGOLATORE UNIDIREZIONALE ORIENTABILE PER CILINDRO SHORT REGOLAZIONE MANUALE
ORIENTING FLOW REGULATOR FOR CILINDER (SHORT) MANUAL REGULATION



Tube		A	B	L1	L2min	L2max	CH	D	Conf. Pack.
3	-	M5	4	19	38.5	42.5	8	10	10
4	-	M5	4	19	38.5	42.5	8	10	10
4	-	1/8	5.5	21	44	49	14	10	10
5	-	M5	4	20	38.5	42.5	8	12.5	10
5	-	1/8	5.5	21.5	44	49	14	12.5	10
5	-	1/4	7	24.5	48.5	55	17	12.5	10
6	-	M5	4	20.5	38.5	42.5	8	12.5	10
6	-	1/8	5.5	22.5	44	49	14	12.5	10
6	-	1/4	7	25	48.5	55	17	12.5	10
8	-	1/8	5.5	24	44	49	14	14	10
8	-	1/4	7	26	48.5	55	17	14	10
8	-	3/8	7.5	28.5	56	65	20	14	10
10	-	1/4	7	28.5	48.5	55	17	17	10
10	-	3/8	7.5	30.5	56	65	20	17	10
12	-	3/8	7.5	32.5	56	65	20	21.5	10
12	-	1/2	9	35	62	69	24	21.5	10
14	-	1/2	9	35.5	62	69	24	21.5	10

