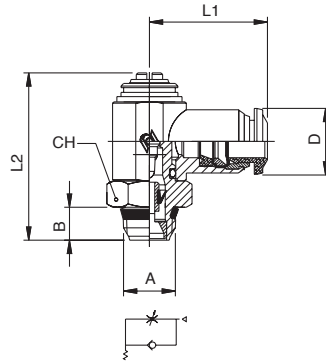


50910

REGOLATORE UNIDIREZIONALE ORIENTABILE PER VALVOLA SHORT REGOLAZIONE A CACCIAVITE
ORIENTING FLOW REGULATOR FOR VALVE (SHORT) SCREWDRIVER REGULATION



Tubo Tube	A	B	L1	L2	CH	D	Conf. Pack.
3	M5	4	19	29.5	8	10	25
4	M5	4	19	29.5	8	10	25
4	1/8	5.5	21	31	14	10	25
5	M5	4	20	29.5	8	12.5	25
5	1/8	5.5	21.5	31	14	12.5	25
5	1/4	7	24.5	36.5	17	12.5	25
6	M5	4	20.5	29.5	8	12.5	25
6	1/8	5.5	22.5	31	14	12.5	25
6	1/4	7	25	36.5	17	12.5	25
8	1/8	5.5	24	31	14	14	25
8	1/4	7	26	36.5	17	14	25
8	3/8	7.5	28.5	42.5	20	14	25
10	1/4	7	28.5	36.5	17	17	25
10	3/8	7.5	30.5	42.5	20	17	25
12	3/8	7.5	32.5	42.5	20	21.5	25
12	1/2	9	35	47	24	21.5	25
14	1/2	9	35.5	47	24	21.5	25

