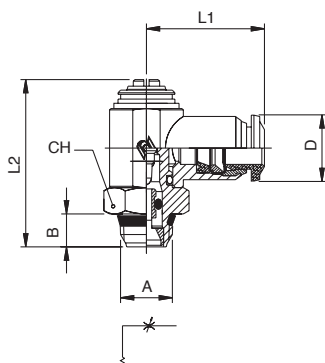


**50920**

**REGOLATORE BIDIREZIONALE ORIENTABILE SHORT REGOLAZIONE A CACCIAVITE**  
**ORIENTING BI-DIRECTIONAL FLOW REGULATOR (SHORT) SCREWDRIVER REGULATION**



Tubo Tube	A	B	L1	L2	CH	D	Conf. Pack.
3	- M5	4	19	29.5	8	10	25
4	- M5	4	19	29.5	8	10	25
4	- 1/8	5.5	21	31	14	10	25
5	- M5	4	20	29.5	8	12.5	25
5	- 1/8	5.5	21.5	31	14	12.5	25
5	- 1/4	7	24.5	36.5	17	12.5	25
6	- M5	4	20.5	29.5	8	12.5	25
6	- 1/8	5.5	22.5	31	14	12.5	25
6	- 1/4	7	25	36.5	17	12.5	25
8	- 1/8	5.5	24	31	14	14	25
8	- 1/4	7	26	36.5	17	14	25
8	- 3/8	7.5	28.5	42.5	20	14	25
10	- 1/4	7	28.5	36.5	17	17	25
10	- 3/8	7.5	30.5	42.5	20	17	25
12	- 3/8	7.5	32.5	42.5	20	21.5	25
12	- 1/2	9	35	47	24	21.5	25
14	- 1/2	9	35.5	47	24	21.5	25

