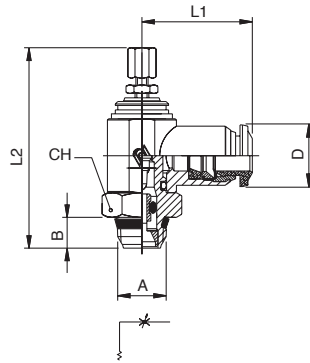


# 50925

**REGOLATORE BIDIREZIONALE ORIENTABILE SHORT REGOLAZIONE MANUALE**  
 ORIENTING BI-DIRECTIONAL FLOW REGULATOR (SHORT) MANUAL REGULATION



Tubo Tube	A	B	L1	L2min	L2max	CH	D	Conf. Pack.
3	- M5	4	19	38.5	42.5	8	10	10
4	- M5	4	19	38.5	42.5	8	10	10
4	- 1/8	5.5	21	44	49	14	10	10
5	- M5	4	20	38.5	42.5	8	12.5	10
5	- 1/8	5.5	21.5	44	49	14	12.5	10
5	- 1/4	7	24.5	48.5	55	17	12.5	10
6	- M5	4	20.5	38.5	42.5	8	12.5	10
6	- 1/8	5.5	22.5	44	49	14	12.5	10
6	- 1/4	7	25	48.5	55	17	12.5	10
8	- 1/8	5.5	24	44	49	14	14	10
8	- 1/4	7	26	48.5	55	17	14	10
8	- 3/8	7.5	28.5	56	65	20	14	10
10	- 1/4	7	28.5	48.5	55	17	17	10
10	- 3/8	7.5	30.5	56	65	20	17	10
12	- 3/8	7.5	32.5	56	65	20	21.5	10
12	- 1/2	9	35	62	69	24	21.5	10
14	- 1/2	9	35.5	62	69	24	21.5	10

